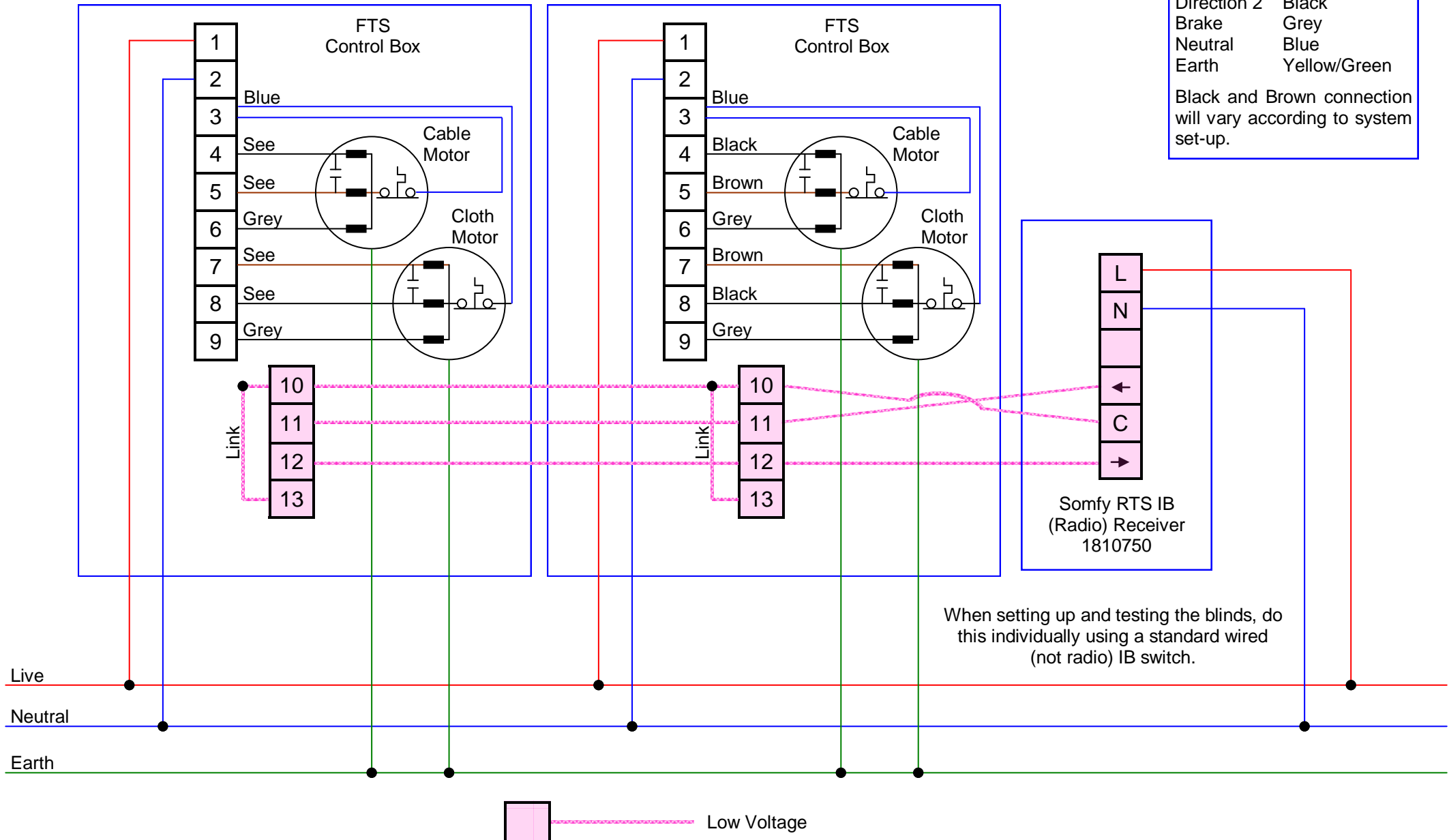


2 FTS to 1 RTS (Radio) receiver

Motor Cable Identification	
Direction 1	Brown
Direction 2	Black
Brake	Grey
Neutral	Blue
Earth	Yellow/Green

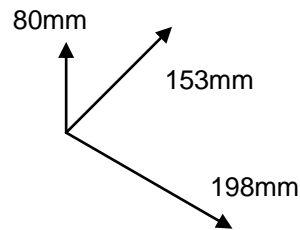
Black and Brown connection will vary according to system set-up.



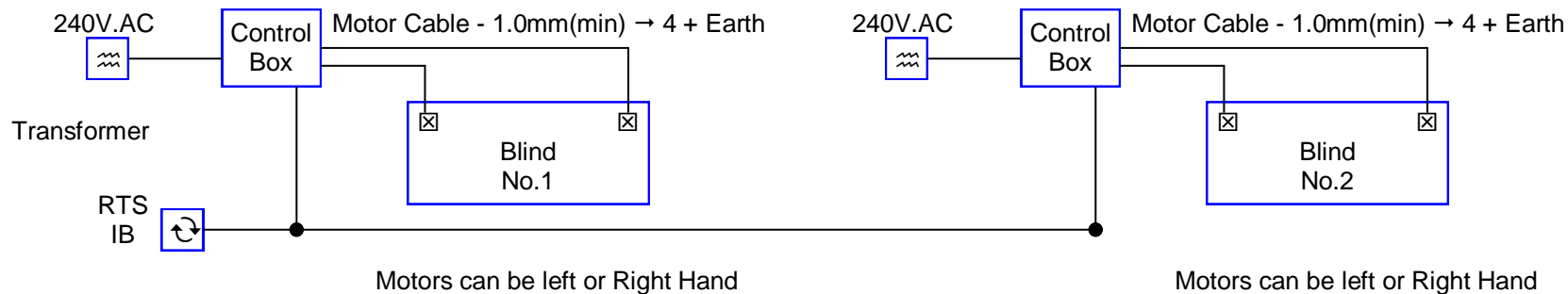
Never Connect more than One Blind into One Control Box

Tip:

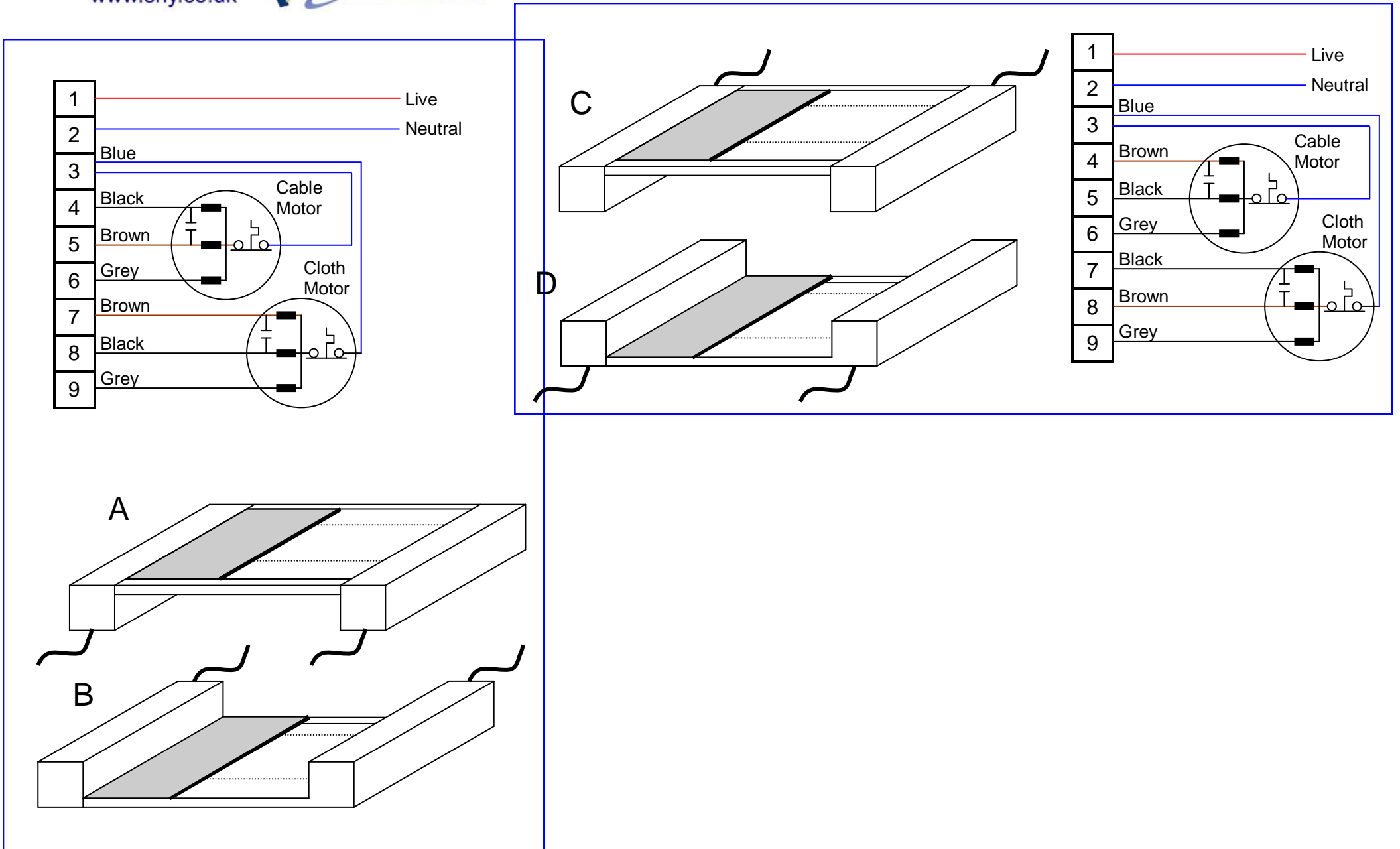
- One transmitter channel can be programmed to operate up to 8 RTS IB receivers.
- Always make sure the control box is accessible for setting up the blind and for future maintenance (fitting the control box so it is inaccessible when the blind is closed is not a good idea)
- When 2 blinds are operated from the same receiver, ensure you can isolate one when working on the other.



Never Connect more than Two Control Boxes into One RTS IB



2 FTS to 1 RTS (Radio) receiver
 Black and Brown identification & connection



2 FTS to 1 RTS (Radio) receiver
 Black and Brown identification & connection

