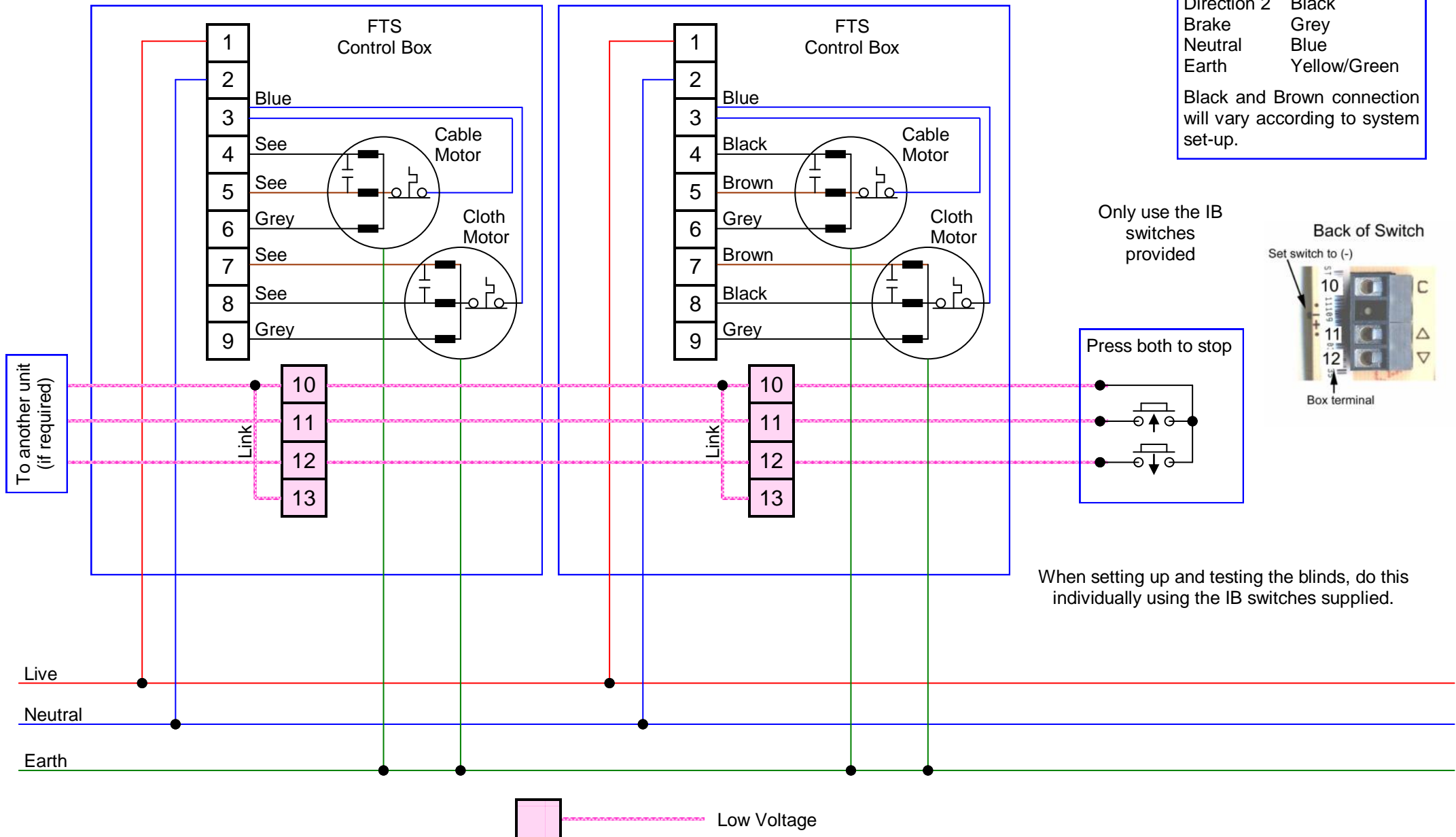


## 2 or more FTS to 1 Wired in Switch

Motor Cable Identification	
Direction 1	Brown
Direction 2	Black
Brake	Grey
Neutral	Blue
Earth	Yellow/Green

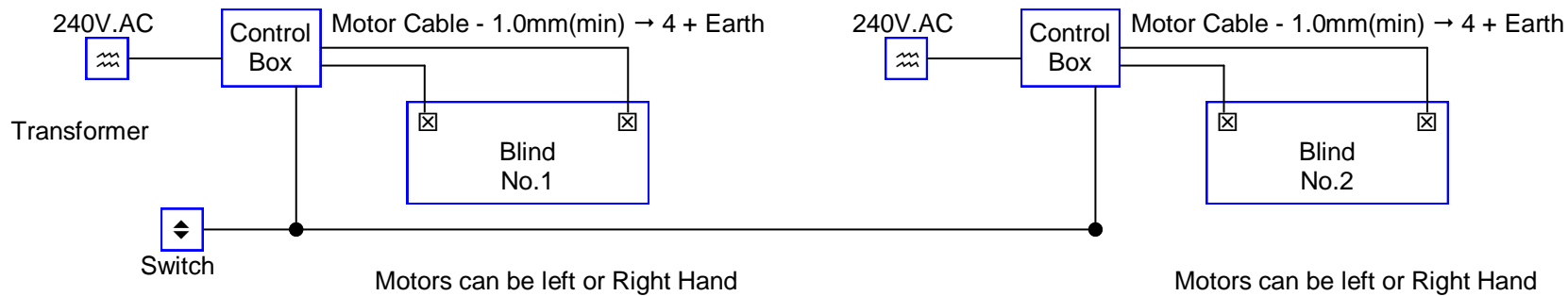
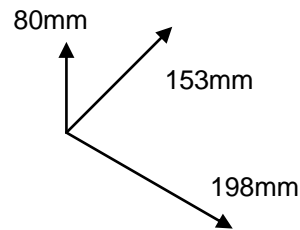
Black and Brown connection will vary according to system set-up.



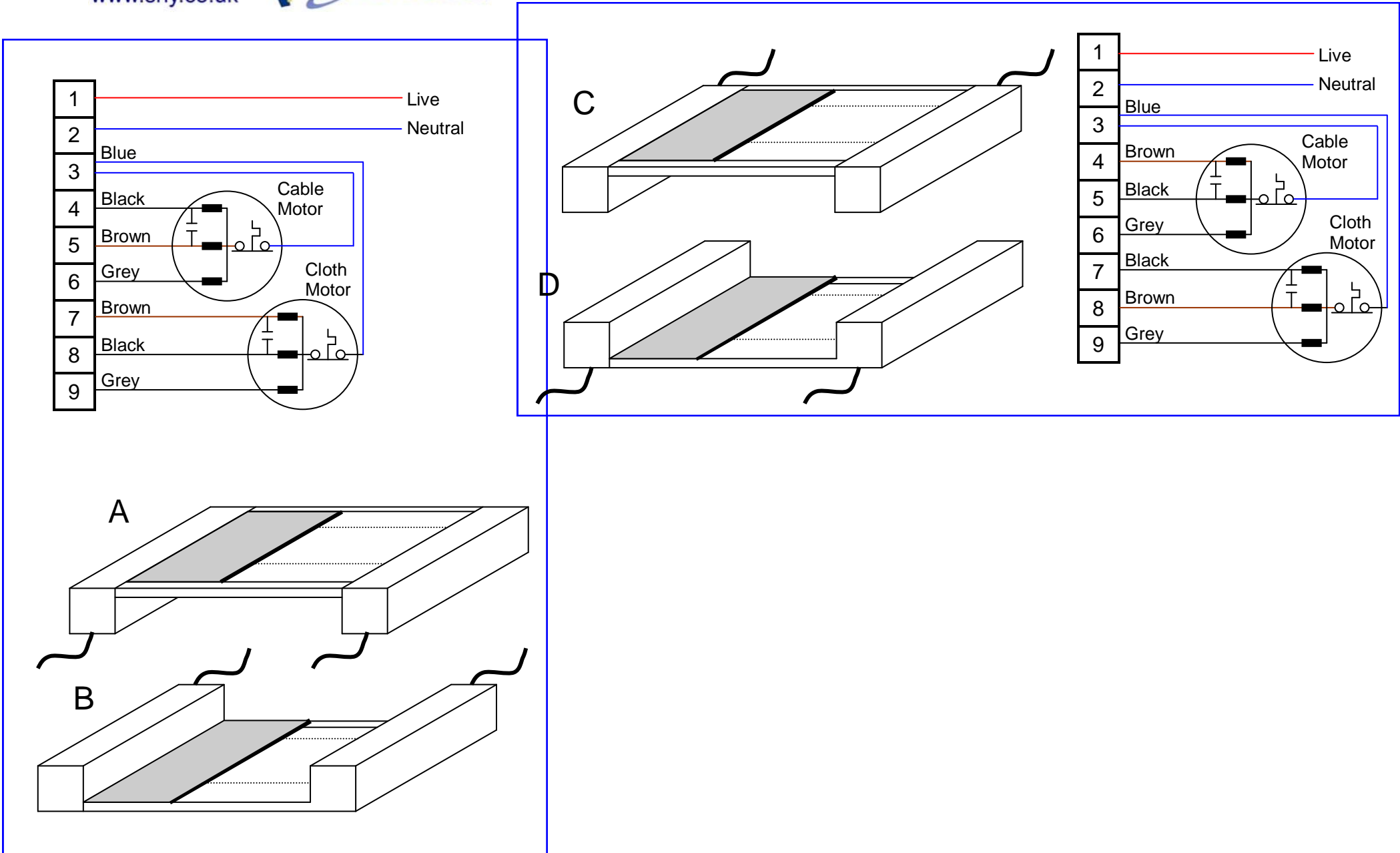
**Never Connect  
 more than  
 One Blind into One Control Box**

**Tip:**

- Always make sure the control box is accessible for setting up the blind and for future maintenance (fitting the control box so it is inaccessible when the blind is closed is not a good idea)
- When 2 or more blinds are operated from the same switch, ensure you can isolate one blind when working on the other.



2 or more FTS to 1 Wired in Switch  
 Black and Brown identification & connection



2 or more FTS to 1 Wired in Switch  
 Black and Brown identification & connection

