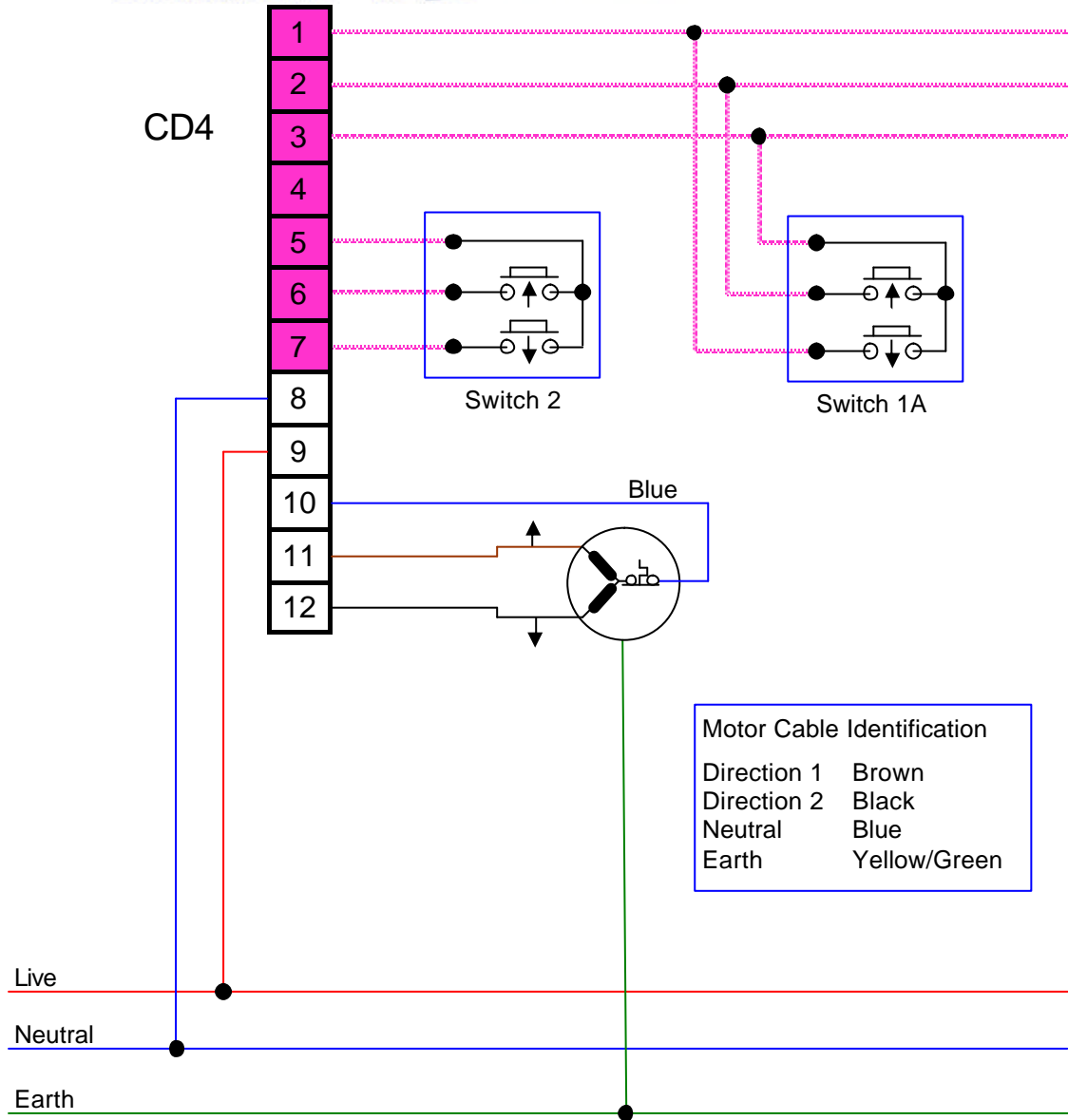


1 Motor - 2+ Switches (CD4)

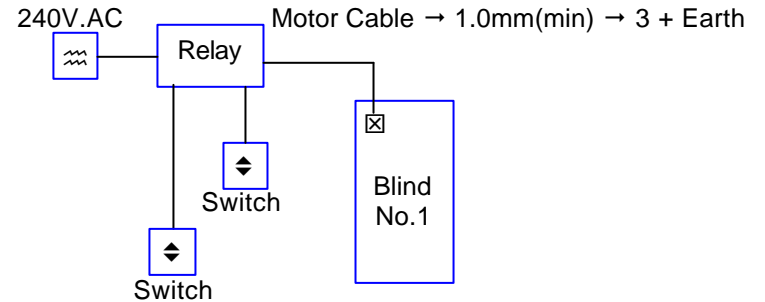


Motor Cable Identification	
Direction 1	Brown
Direction 2	Black
Neutral	Blue
Earth	Yellow/Green

 Low Voltage (10V.DC)



107mm
53mm
112mm



Motors can be Left or Right Hand