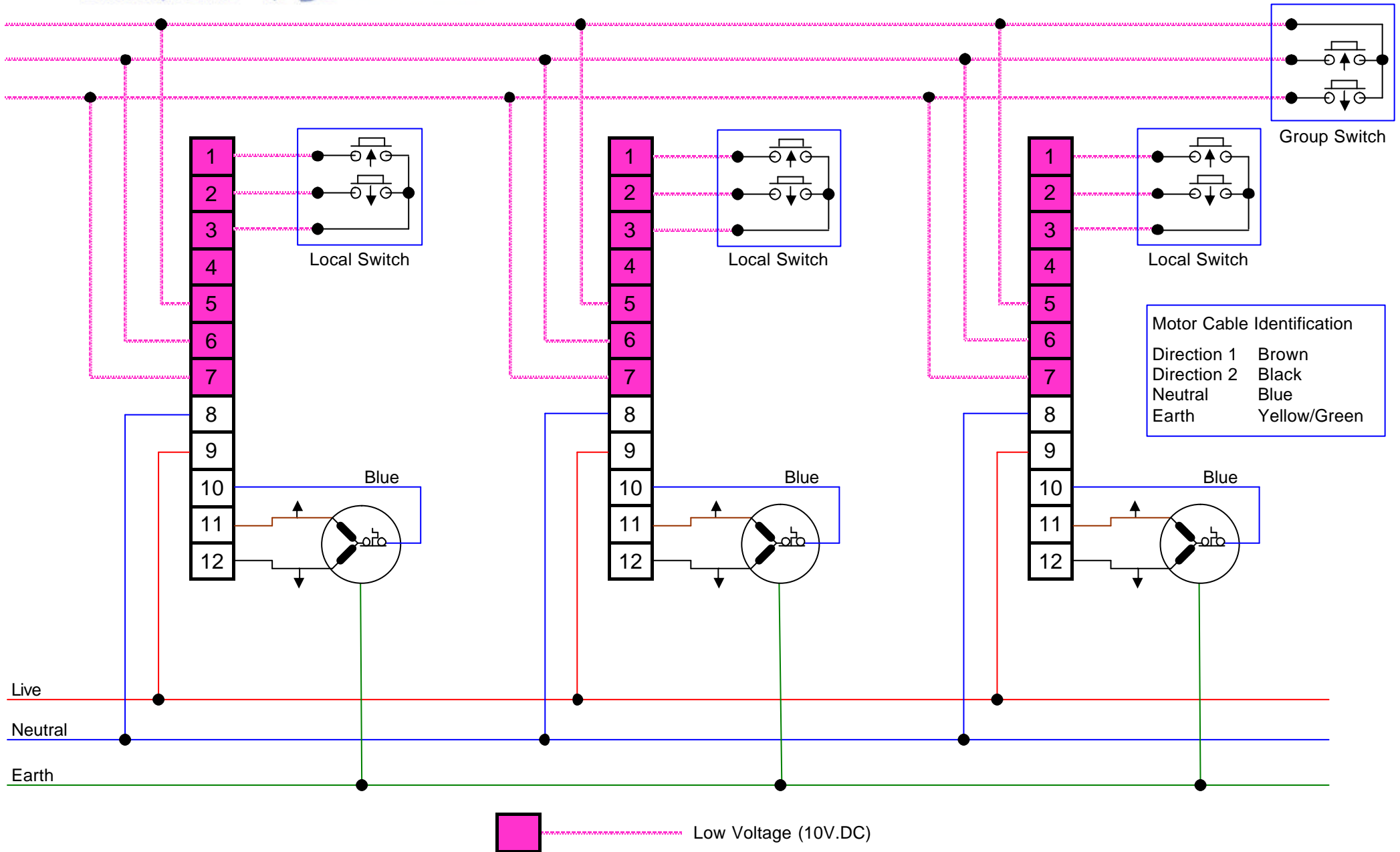
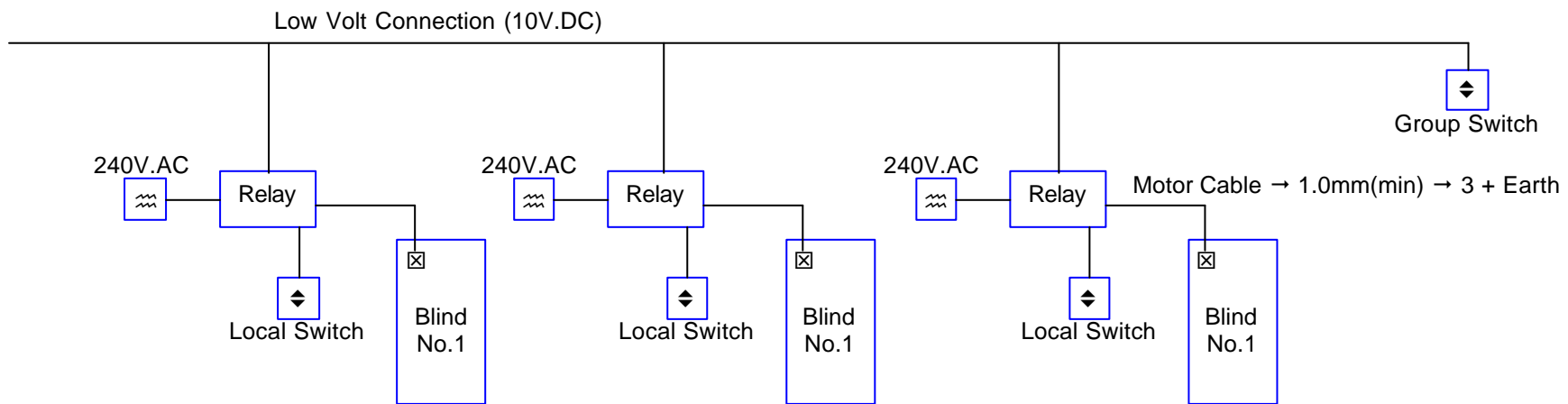
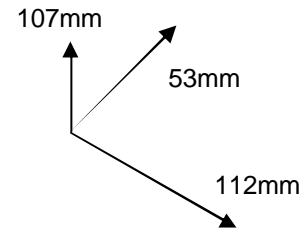


# Group and Individual Switching



# Group and Individual Switching



Motors can be Left or Right Hand