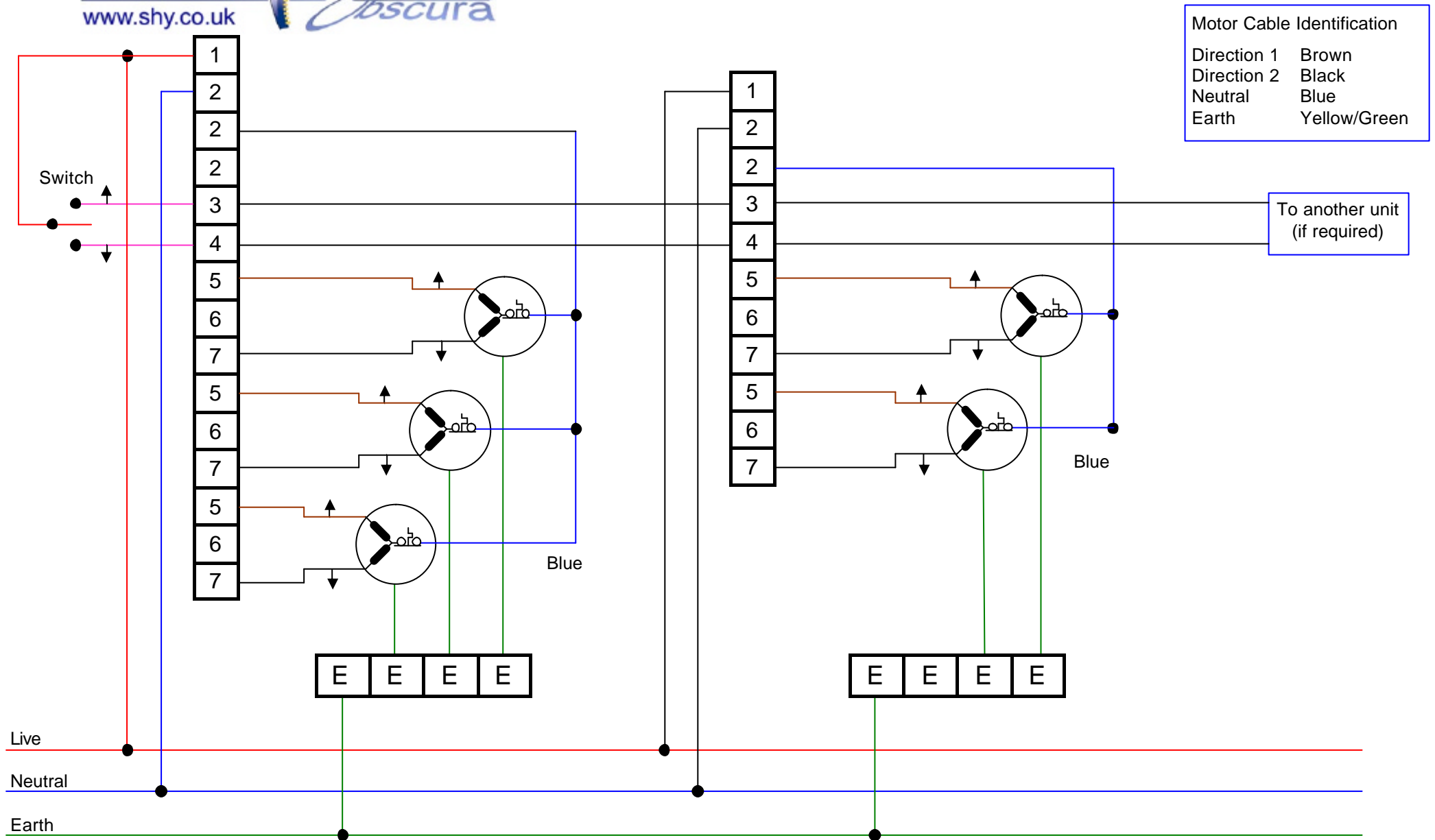


### 3 + 2 Motor Relay RK3 & RK2....1 Switch - 3+2+ Motors



### 3 Motor Relay RK3....1 Switch - 3+2+ Motors

