

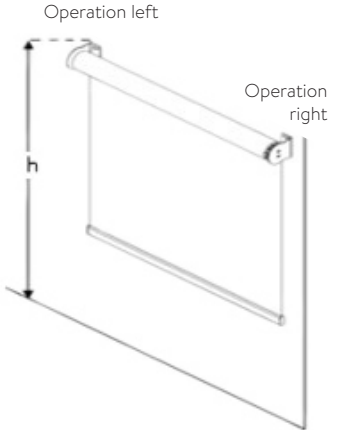
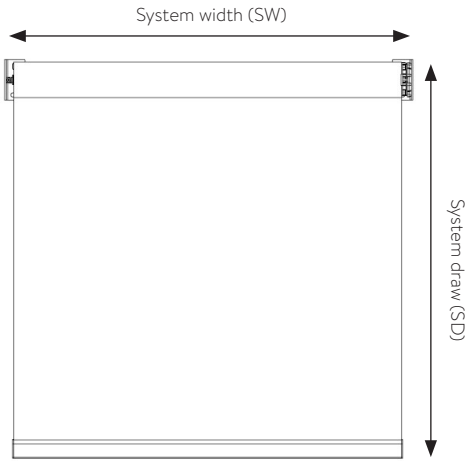


SHY OBSCURA ORDER FORM

| YOUR DETAILS | | | | DELIVERY DETAILS | | | |
|--------------|--|-----------|--|-------------------------------|--|---------------------------------|--|
| Company | | Contact | | Required delivery date | | | |
| Email | | Phone | | Delivery address | | | |
| Address | | Order no. | | Delivery options | | | |
| | | Quote no. | | | | | |
| | | Project | | Customer to collect (ExWorks) | | GD to deliver (DAP - surcharge) | |

| SYSTEM DIMENSIONS (IN MM) | | | | BRACKET FIXING | | OPERATION SIDE | | FOR MANUAL OPERATION | |
|---------------------------|-----|------------|-----------|---|---|----------------|-------|--|--------|
| | | | |  |  | | | | |
| POS | QTY | WIDTH (SW) | DRAW (SD) | TOP | BACK | LEFT | RIGHT | If manual operation, please provide height measurement as shown. | h (mm) |
| 1 | | | | | | | |  | |
| 2 | | | | | | | | | |
| 3 | | | | | | | | | |
| 4 | | | | | | | | | |
| 5 | | | | | | | | | |
| 6 | | | | | | | | | |
| 7 | | | | | | | | | |
| 8 | | | | | | | | | |
| 9 | | | | | | | | | |
| 10 | | | | | | | | | |
| 11 | | | | | | | | | |
| 12 | | | | | | | | | |
| TOTAL | | | | | | | | | |






System width (SW)

System draw (SD)

Overall system sizes are manufactured with ± 2mm tolerance

| ORIENTATION | |
|--------------------------|-----------------------------|
| <input type="checkbox"/> | Vertical |
| <input type="checkbox"/> | Horizontal (with CTS units) |

| OPERATION TYPE | | | | MANUAL TYPE | | POWDER COATING OPTIONS | | | | COMMENTS |
|---|------------|--------------------------|-------|-----------------------------------|--------------------------------|---|---|---|-----------|----------|
| All radio transmitters below are battery powered | | | | Chain (Only available for ≤ 14m²) | | RAL 9016 30% (traffic white matt = standard) | | | | |
| <input type="checkbox"/> | Hard Wired | <input type="checkbox"/> | Radio | <input type="checkbox"/> | Battery (limited to 60mm tube) | Other RAL, specify below (surcharge) | | | | |
| RADIO TRANSMITTERS | QTY | WALL MOUNTED | | QTY | Metal | RAL | GLOSS LEVEL | | | |
| 1 channel (hand held) | | 1 channel | | | White | | 30% matt | 70% satin | 90% gloss | |
| 4+1 channel (hand held) | | 2 channel | | | Grey | CHAIN SAFETY DEVICE (if required) | | | | |
| 16 channel (hand held) | | 1 channel RTS | | | Black | | | | | |
| FORM COMPLETED BY PRINT NAME SIGNATURE REGISTERED INSTALLER DATE | | | | | |  |  |  | | |
| | | | | | | Side device | Face device | Chain breakers | | |

SHY OBSCURA FABRIC ORDER FORM

| FABRIC ALWAYS SUPPLIED AND FITTED BY GUTHRIE DOUGLAS | |
|--|--|
| Fabric type | |
| Fabric colour | |

| PLEASE SPECIFY WHERE YOU WOULD LIKE THE FABRIC FRONT | |
|---|---------------|
| Fabric front | Standard side |
| | Reverse side |
| PLEASE NOTE <ul style="list-style-type: none">· Depending on the system width mid welds may be present parallel to the fabric roller.· The position of the welds or their orientation cannot be guaranteed. | |

