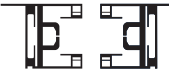
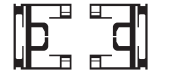
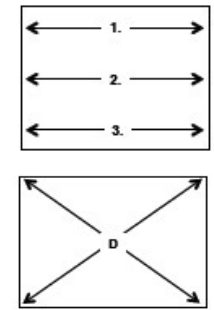


SHY ZIP HORIZONTAL ORDER FORM

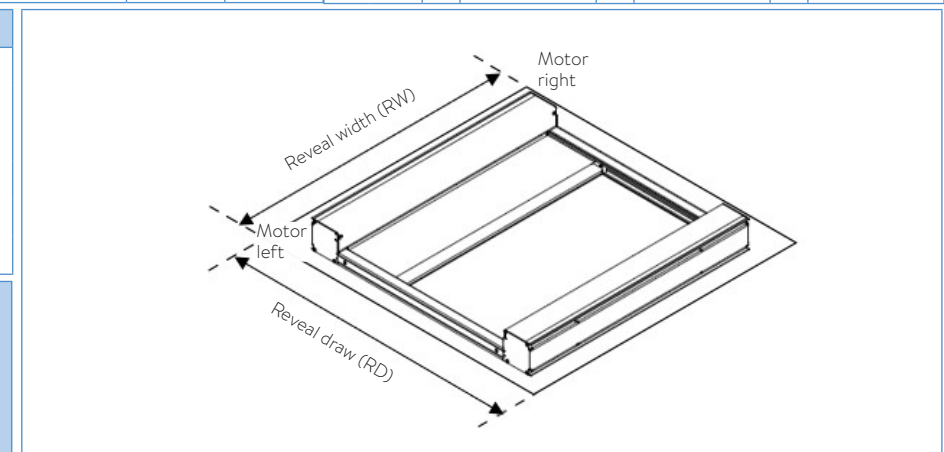
YOUR DETAILS				DELIVERY DETAILS			
Company		Contact		Required delivery date			
Email		Phone		Delivery address			
Address		Order no.		Delivery options			
		Quote no.					
		Project		Customer to collect (ExWorks)		GD to deliver (DAP - surcharge)	

REVEAL DIMENSIONS (IN MM)				SHELVING		SIDE CHANNEL FIXING		MOTOR SIDE		IMPORTANT • We recommend measuring the reveal width (RW) and reveal draw (RD) at least 3 points, ideally using a laser distance gauge. • Specify the smallest reveal width (RW) and reveal draw (RD) when placing an order. • The widths and draws should be parallel, and the diagonals (D) should be equal. • If shelving is required, Guthrie Douglas will supply shelving to suit the specified Reveal Width and Reveal Draw. If you require shelving of a different length, please note this in the comments box.
POS	QTY	REVEAL WIDTH (RW)	REVEAL DRAW (RD)	YES	NO	FACE FIX	REVEAL FIX	LEFT	RIGHT	
1										
2										
3										
4										
5										
6										
7										
8										
9										
10										
11										
12										
TOTAL										



HEADBOX			
Yes			
Not required			
POWDER COATING OPTIONS			
RAL 9016 30% (traffic white matt = standard)			
Other RAL, specify below (surcharge)			
RAL	GLOSS LEVEL		
	30% matt	70% satin	90% gloss

OPERATION TYPE				COMMENTS	
All radio transmitters below are battery powered					
Hard Wired	Radio	Battery (limited to 85 box)			
RADIO TRANSMITTERS	QTY	WALL MOUNTED	QTY		
1 channel (hand held)		1 channel			
4+1 channel (hand held)		2 channel			
16 channel (hand held)		1 channel RTS			



FORM COMPLETED BY	
PRINT NAME	SIGNATURE
REGISTERED INSTALLER	DATE

SHY ZIP HORIZONTAL FABRIC ORDER FORM

FABRIC ALWAYS SUPPLIED AND FITTED BY GUTHRIE DOUGLAS	
Fabric type	
Colour	

PLEASE SPECIFY WHERE YOU WOULD LIKE THE FABRIC FRONT	
Fabric front	Standard side
	Reverse side
PLEASE SPECIFY FABRIC ZIP COLOUR	
Zip colour	White
	Grey
	Black

PLEASE NOTE

- Once ordered the fabric cannot be turned over.
- On blackout fabric, slight wrinkling has to be expected along the side guides.
- Depending on the system width mid welds may be present parallel to the head box.
- The position of the welds or their orientation cannot be guaranteed.
- Grey or black zip ribbon colour is recommended for blackout fabric.

