



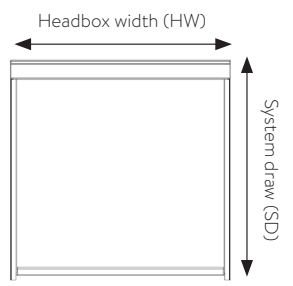
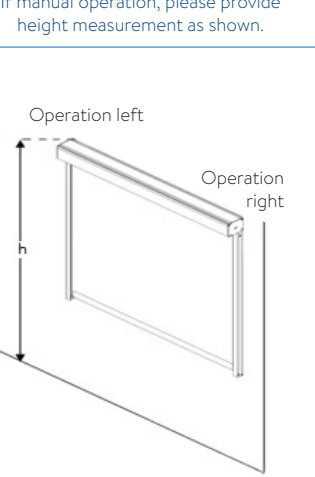





SHY ZIP VERTICAL ORDER FORM

YOUR DETAILS				DELIVERY DETAILS			
Company		Contact		Required delivery date			
Email		Phone		Delivery address			
Address		Order no.		Delivery options			
		Quote no.			Customer to collect (ExWorks)	GD to deliver (DAP - surcharge)	
		Project					

SYSTEM DIMENSIONS (IN MM)				SIDE CHANNEL FIXING		BOTTOM FINISH			OPERATION SIDE		FOR MANUAL OPERATION		
													
POS	QTY	WIDTH (HW)	DRAW (SD)	FACE FIX	REVEAL FIX	BOTTOM CHANNEL	STOP FEET	NONE	LEFT	RIGHT		If manual operation, please provide height measurement as shown. 	h (mm)
1													
2													
3													
4													
5													
6													
7													
8													
9													
10													
											HEADBOX		
											Yes		
TOTAL											Not required		


OPERATION TYPE				MANUAL TYPE	
All radio transmitters below are battery powered				Chain (only available for ≤ 12m ²)	
Hard Wired	Radio	Battery (limited to 85box)		CHAIN COLOUR	
RADIO TRANSMITTERS	QTY	WALL MOUNTED	QTY	Metal	
1 channel (hand held)		1 channel		White	
4+1 channel (hand held)		2 channel		Grey	
16 channel (hand held)		1 channel RTS		Black	

POWDER COATING OPTIONS			
RAL 9016 30% (traffic white matt = standard)			
Other RAL, specify below (surcharge)			
RAL	GLOSS LEVEL		
	30% matt	70% satin	90% gloss

CHAIN SAFETY DEVICE (if required)		
		
Side device	Face device	Chain breakers

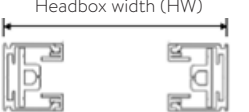
FACE FIX

Headbox width (HW)



REVEAL FIX

Headbox width (HW)



FORM COMPLETED BY

PRINT NAME SIGNATURE

REGISTERED INSTALLER DATE

SHY ZIP VERTICAL FABRIC ORDER FORM

FABRIC ALWAYS SUPPLIED AND FITTED BY GUTHRIE DOUGLAS	
Fabric type	
Colour	

PLEASE SPECIFY WHERE YOU WOULD LIKE THE FABRIC FRONT	
Fabric front	Standard side
	Reverse side
PLEASE SPECIFY FABRIC ZIP COLOUR	
Zip colour	White
	Grey
	Black
PLEASE NOTE <ul style="list-style-type: none">• Once ordered the fabric cannot be turned over.• On blackout fabric, slight wrinkling has to be expected along the side guides.• Depending on the system width mid welds may be present parallel to the head box.• The position of the welds or their orientation cannot be guaranteed.• Grey or black zip ribbon colour is recommended for blackout fabric.	

