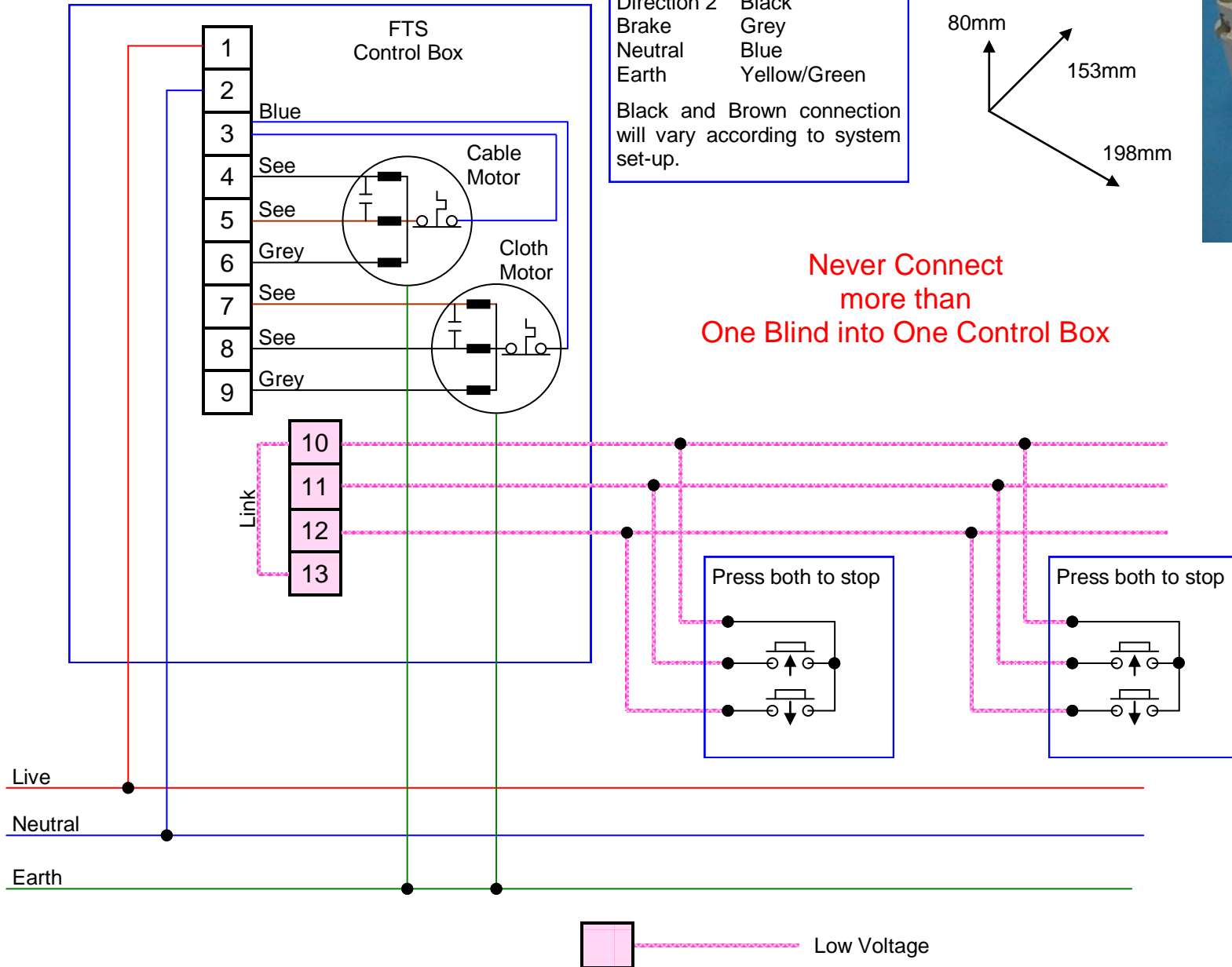
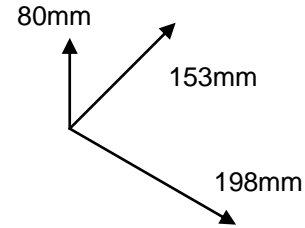


### 1 FTS by 2 or more wired in Switches

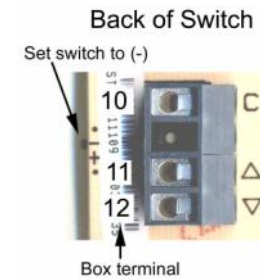
Motor Cable Identification	
Direction 1	Brown
Direction 2	Black
Brake	Grey
Neutral	Blue
Earth	Yellow/Green

Black and Brown connection will vary according to system set-up.



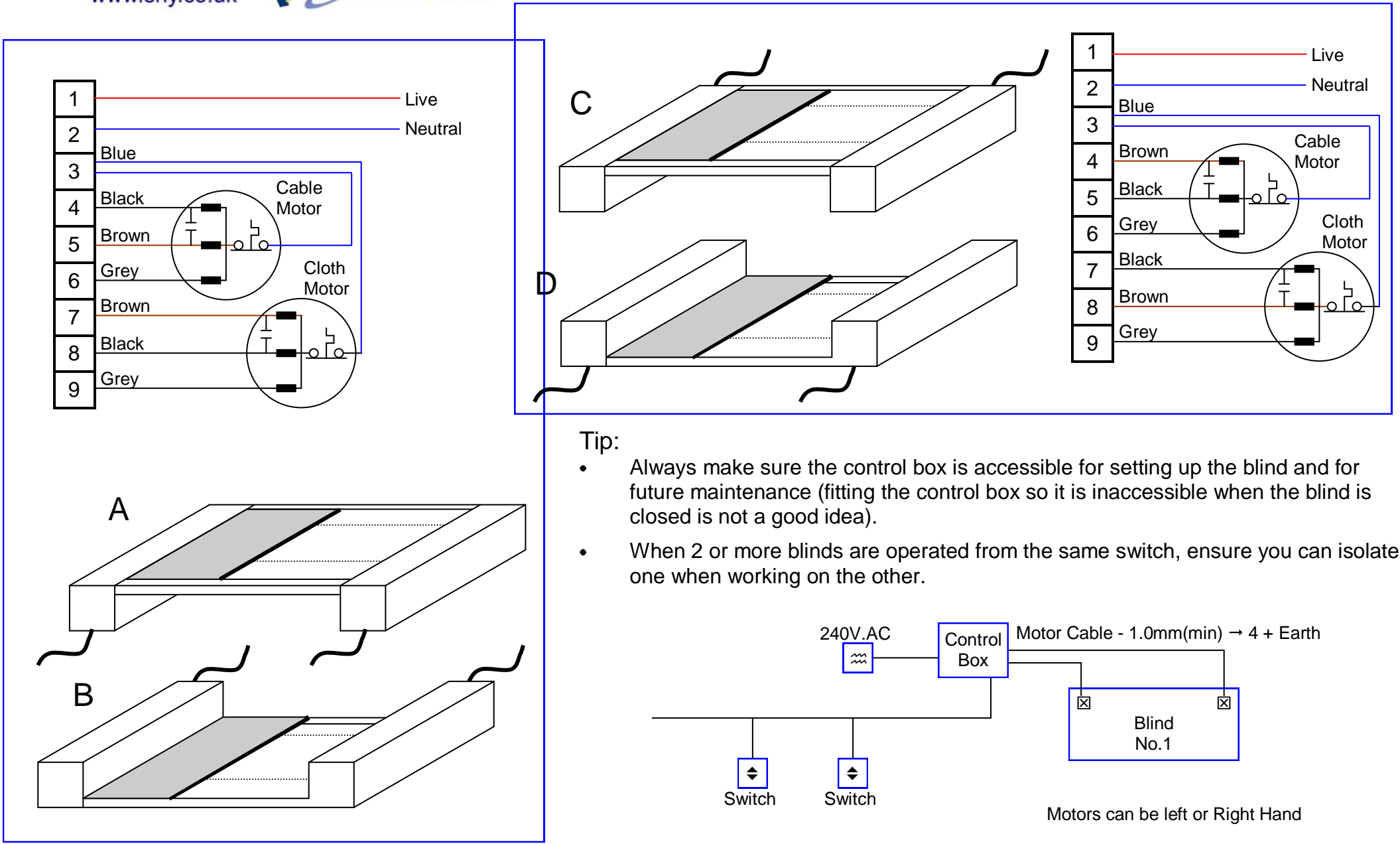
**Never Connect more than One Blind into One Control Box**

Only use switches provided



1 FTS by 2 or more wired in Switches

Black and Brown identification & connection



1 FTS by 2 or more wired in Switches  
 Black and Brown identification & connection

