



SHADING SOLUTIONS BY DESIGN



Zip® External gravity drop system





# External gravity drop system

## OVERVIEW

- ZIP® technology to enable smooth operation
- Features headboxes and side channels

## SYSTEM DETAILS

SHY ZIP® External gravity drop blinds use specially designed zipper ribbon which is welded to the edges of the blind fabric to create a super-strong join. The zipper ribbon is securely held in a shaped plastic inner rail which allows the blind to run freely and quietly but prevents the fabric from being pulled out of the side channel. The ZIP® element keeps the cloth in place and wind sensors are used to protect the blind.

A ZIP® External gravity drop blind consists of an upper headbox containing the cloth roller plus side channels. As the cloth is deployed the combined weight of the cloth and heavy-duty hem bar pulls the cloth down the side channels.

## APPLICATION

Ideal for domestic, commercial, and school settings. External roller blinds are effective at keeping buildings cooler - thereby saving on energy bills - as they block solar radiation before it hits the glazing causing the building to heat up. They are also perfect for shading external areas such as school outdoor teaching areas. Houses with inward opening bi-folding doors can use these blinds to effectively shade the interior.

Hardware can be powder coated to any RAL colour or anodised (standard colours are white and black) to suit existing surroundings. Any mild steel parts are changed to galvanised or stainless and all screws used would be A2 or A4 stainless steel.





# Features



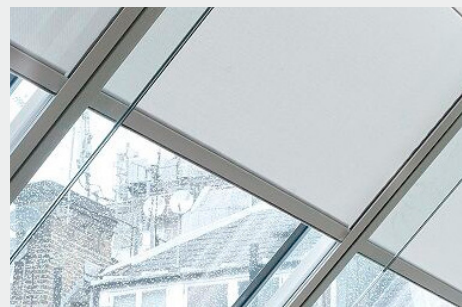
## SIDE CHANNELS

- 33x28mm side channels
- Flange mounted or through mounted
- Zipper ribbon runs within the inner rails



## HEADBOXES

- Standard headbox sizes are 85mm, 110mm and 150mm square.
- The choice of box depends on the size of the blind, with larger blinds requiring larger headboxes.



## FABRIC

- External glass fibre and polyester screen – protect against heat and glare of the sun



## MANUAL CONTROL

- Crank handle (size dependent)



## MOTORISED CONTROL

- Radio control – remote or switch
- Hard wired – switch or integration into control systems
- Battery powered (up to 7m<sup>2</sup>)



## BOTTOM CHANNEL

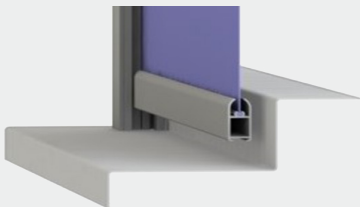
- Optional on gravity blinds and is used to enhance the light seal or to help with uneven surfaces.



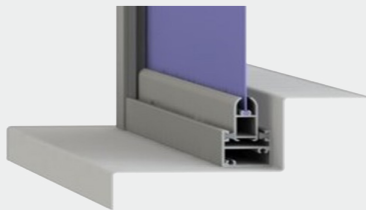
# System Specification



Gravity drop blind

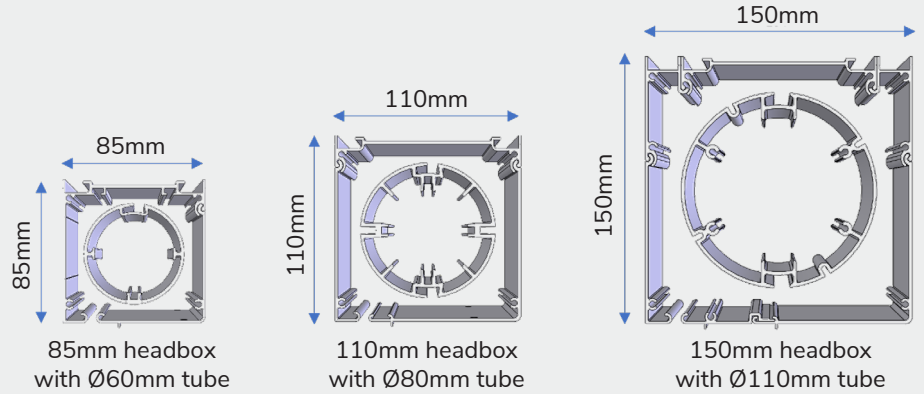


Gravity drop blind without bottom channel

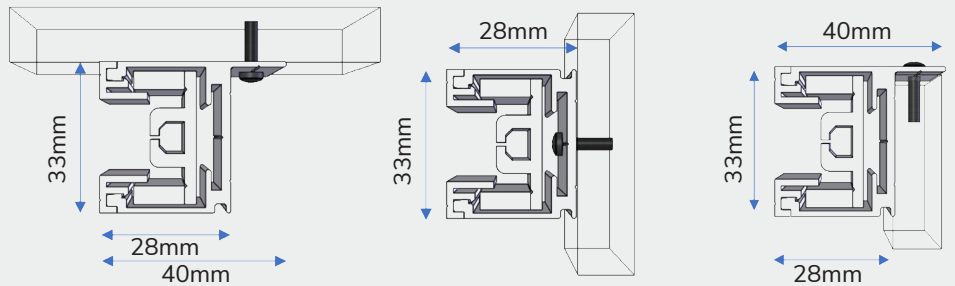


Gravity drop blind optional bottom channel

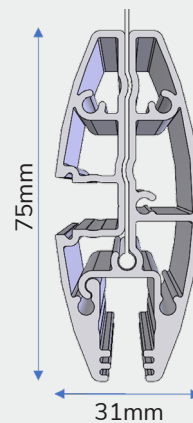
## HEADBOX DIMENSIONS



## ZIP® SIDE CHANNEL DIMENSIONS



## HEMBARS



75mm Hembar

## GET IN TOUCH...

UK T: 01462 455 400  
 Worldwide T: +44 1462 455 400  
 Email: info@shy.co.uk

**Head Office**  
 2B Dunhams Lane,  
 Letchworth, Herts, SG6 1BE

[www.shy.co.uk](http://www.shy.co.uk)