



SHADING SOLUTIONS BY DESIGN



Zip<sup>®</sup> Obscura<sup>®</sup> gravity drop systems



# External gravity drop systems

## OVERVIEW

- Features an open roller and ZIP® side channels to enable smooth operation
- Used for areas up to 50m<sup>2</sup>

## SYSTEM DETAILS

SHY ZIP® Obscura® gravity drop blinds operate vertically and can be custom-made to fit any angle from vertical to 30° from the vertical. (For blinds over 30° from the vertical, please see our ZIP® CTS rooflight system).

The heart of the system is SHY's specially designed zipper ribbon which is welded to the edges of the blind fabric to create a super-strong join. The zipper ribbon is securely held in a shaped plastic inner rail which allows the blind to run freely and quietly but prevents the fabric from being pulled out of the side channel.

A gravity drop blind consists of a cloth roller plus side channels. As the cloth is deployed the combined weight of the cloth and hem bar pulls the cloth down the side channels. No lower headbox is required, but a bottom channel can be used to enhance the light seal or to help with uneven surfaces if required.

## APPLICATION

Ideal for both commercial installations as well as high-end domestic situations. Neat and stylish, ZIP® Obscura® gravity blinds can be installed where a separate pocket or trough is being provided in multiple applications, including dim-out, shading, light control, heat control, insect screens, room dividers, for business presentation & home cinema screens, to name a few. Utilising a wide choice of blind fabrics, every level of shading, through to full dim-out can be achieved.

Hardware can be powder coated to any RAL colour (standard colours are white and black) to suit existing surroundings. Obstacle detection motors are also an option if required.





## Zip® Obscura® Features



### SIDE CHANNELS

- 33x28mm side channels
- Flange mounted or through mounted
- Zipper ribbon runs within the inner rail



### FABRIC

- Blackout – prevents or significantly reduces the amount of light passing through the fabric
- Glass fibre and polyester screen – protect against heat and glare of the sun



### CONTROL

- Chain (size dependent)
- Crank handle (size dependent)
- Radio control – remote or switch
- Hard wired – switch or integration into control systems
- Battery powered (up to 7m<sup>2</sup>)



### BOTTOM CHANNEL

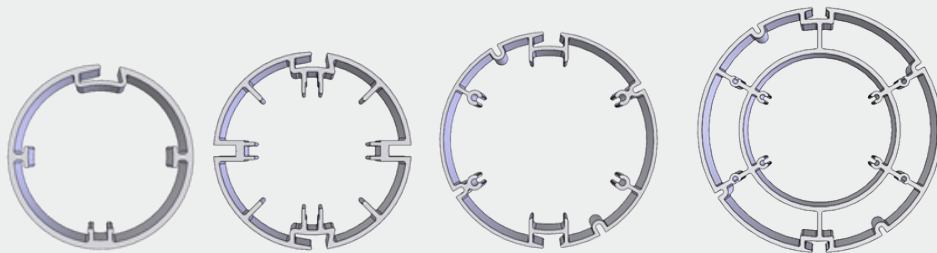
- Optional on gravity blinds and is used to enhance the light seal or to help with uneven surfaces.

## System Specification



Gravity drop ZIP®  
Obscura® blind

### TUBE DIMENSIONS



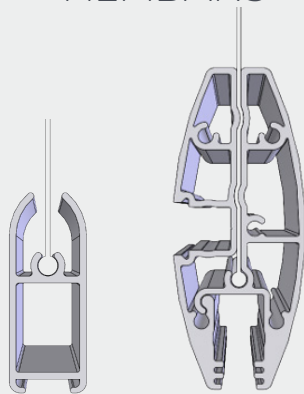
60mm tube

80mm tube

110mm tube

160mm tube

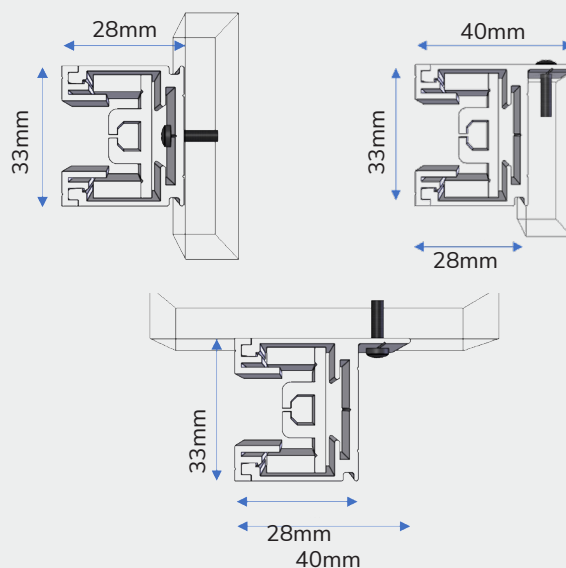
### HEMBARS



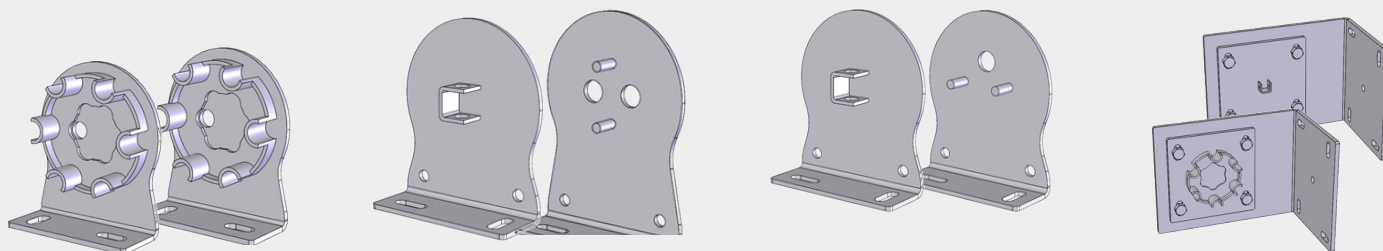
36mm

75mm

### ZIP® SIDE CHANNEL DIMENSIONS



### BRACKETS



60 80 brackets

65 brackets

65 long brackets

125 or heavy duty

### OTHER SYSTEMS IN THE GRAVITY DROP RANGE

- SHY Obscura® blind
- SHY Sunfacta® blind
- SHY ZIP® blind
- SHY twin gravity drop blind

GET IN TOUCH...

UK T: 01462 455 400  
Worldwide T: +44 1462 455 400  
Email: info@shy.co.uk

**Head Office**  
2B Dunhams Lane,  
Letchworth, Herts, SG6 1BE

[www.shy.co.uk](http://www.shy.co.uk)