



SHADING SOLUTIONS BY DESIGN



Zip[®] twin gravity drop systems



Twin gravity drop systems

OVERVIEW

- Features two rollers with different fabrics for total light control
- Encased in either one headbox, or two boxes back-to-back, with side channels
- ZIP® technology to enable smooth operation

SYSTEM DETAILS

SHY ZIP® twin gravity drop blinds can operate in a vertical or horizontal position and at any angle in between, drawing upwards, downwards, or sideways.

The heart of the system is SHY's specially designed zipper ribbon which is welded to the edges of the blind fabric to create a super-strong, flat join. The zipper ribbon is securely held in a shaped plastic side channel which allows the blind to run freely and quietly but prevents the fabric from being pulled out of the channel insert.

A gravity drop blind consists of an upper headbox containing the two rollers plus side channels for each. As the cloth is deployed the combined weight of the cloth and hem bar pulls the cloth down the side channels. No lower headbox is required, but a bottom channel can be used to enhance the light seal or to help with uneven surfaces if required.

APPLICATION

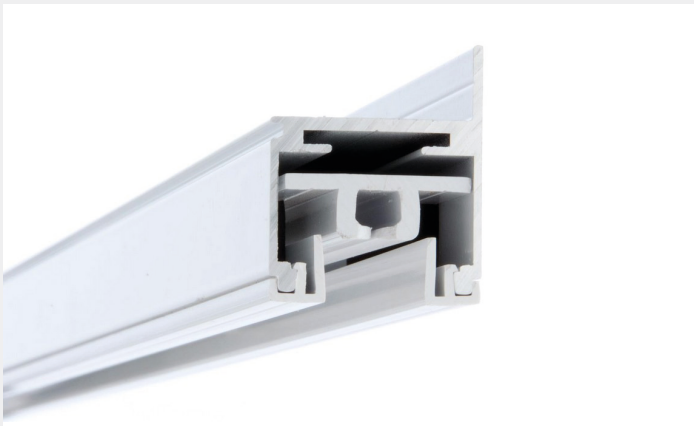
These systems are used in many commercial installations as well as high-end domestic situations. Utilising a wide choice of blind fabrics, one blackout and one shading fabric is used. This enables different light solutions for the glazed area.

Hardware can be powder coated to any RAL colour (standard colours are white & black) to suit existing surroundings. Recommended shelf can be used to assist installation and running of the blind.





Features



SIDE CHANNELS

- 33x28mm side channels
- Flange mounted or through mounted
- Zipper ribbon runs within the inner rails



HEADBOXES

- Headbox sizes are 150mm square or bespoke 200 Plus Series



FABRIC

- Blackout – prevents or significantly reduces the amount of light passing through the fabric
- Glass fibre and polyester screen – protect against heat and glare of the sun

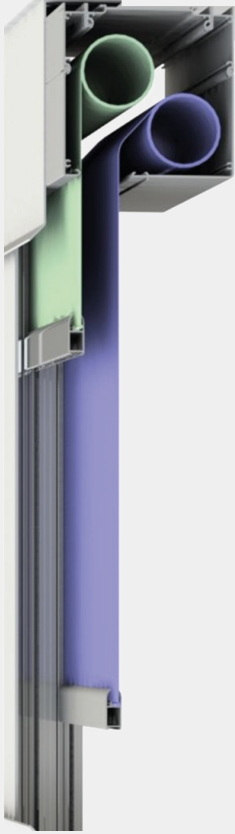


MOTORISED CONTROL

- Radio control – remote or switch
- Hard wired – switch or integration into control systems
- Battery - size dependent

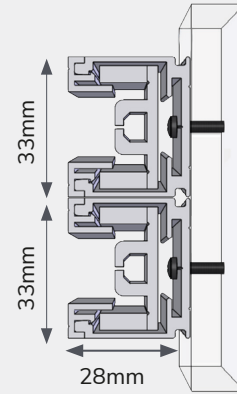
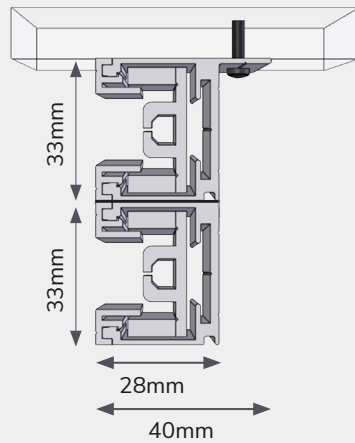


System Specification

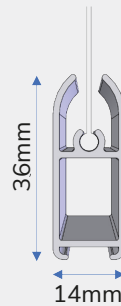


Twin ZIP® twin gravity drop

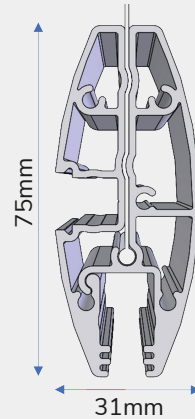
ZIP® SIDE CHANNEL DIMENSIONS



HEMBARS



36mm Hembar



75mm Hembar

OTHER SYSTEMS IN THE ZIP® TWIN RANGE

- ZIP® twin rooflight systems

GET IN TOUCH...

UK T: 01462 455 400
Worldwide T: +44 1462 455 400
Email: info@shy.co.uk

Head Office
2B Dunhams Lane,
Letchworth, Herts, SG6 1BE

www.shy.co.uk