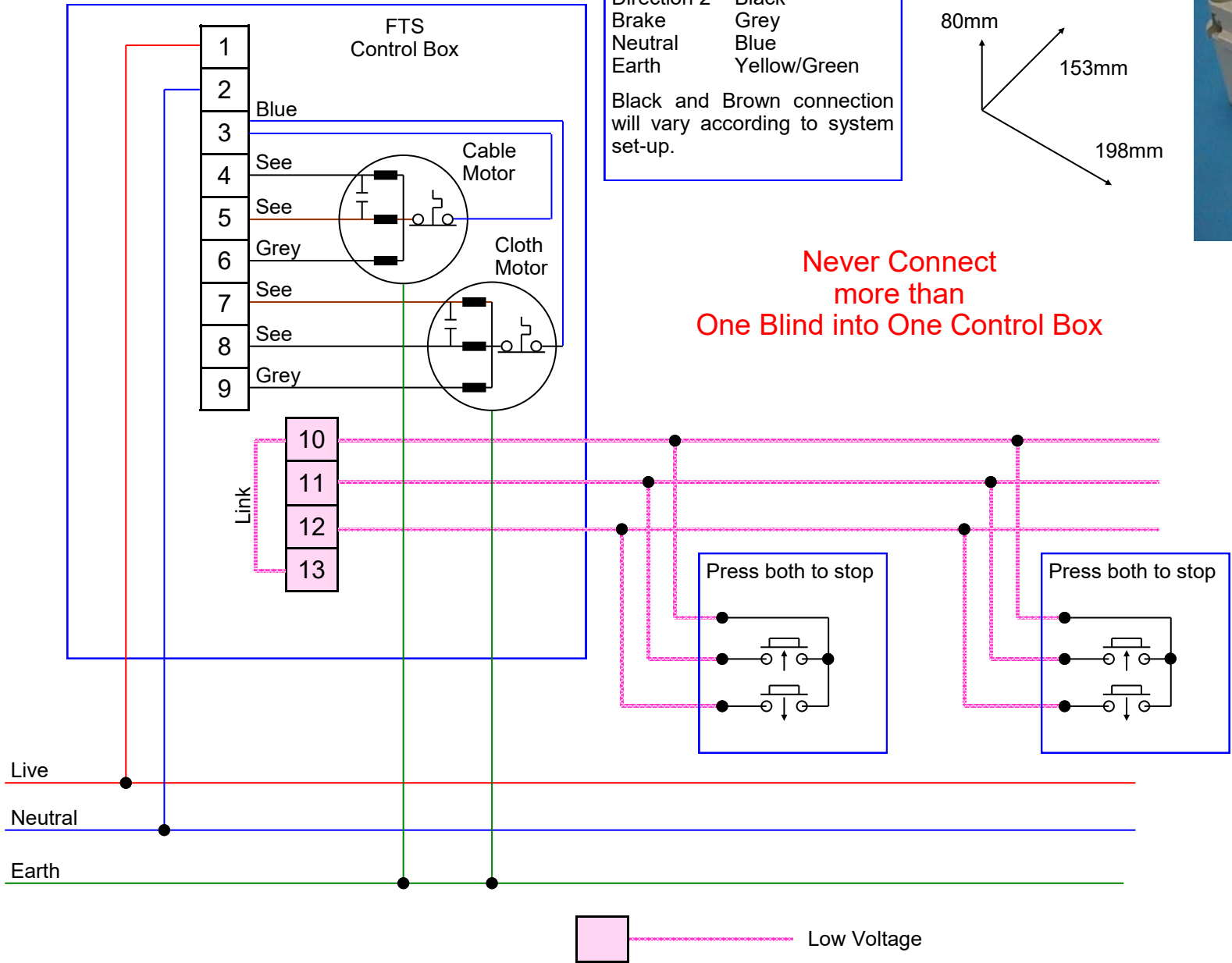
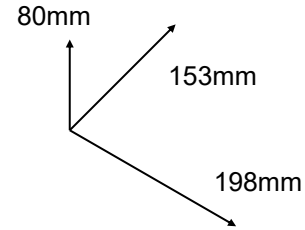


# 1 FTS by 2 or more wired in Switches

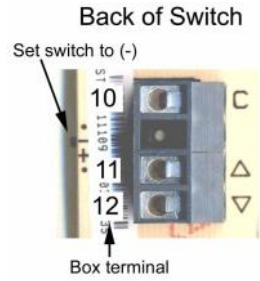
Motor Cable Identification	
Direction 1	Brown
Direction 2	Black
Brake	Grey
Neutral	Blue
Earth	Yellow/Green

Black and Brown connection will vary according to system set-up.



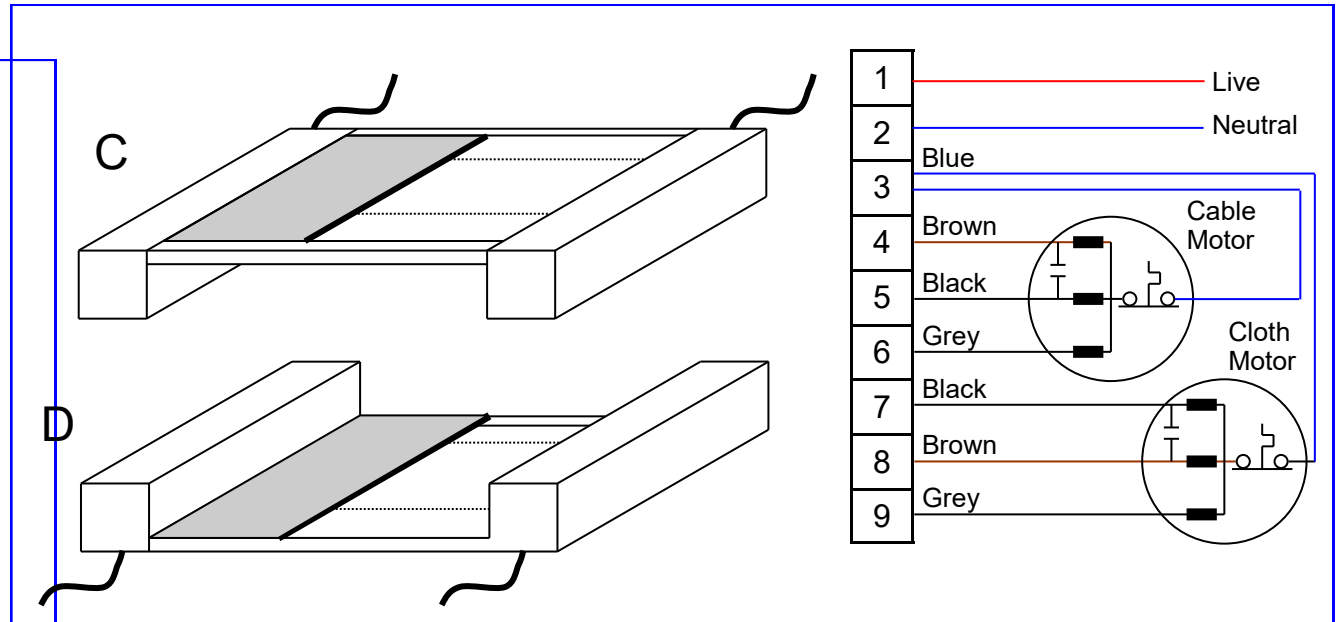
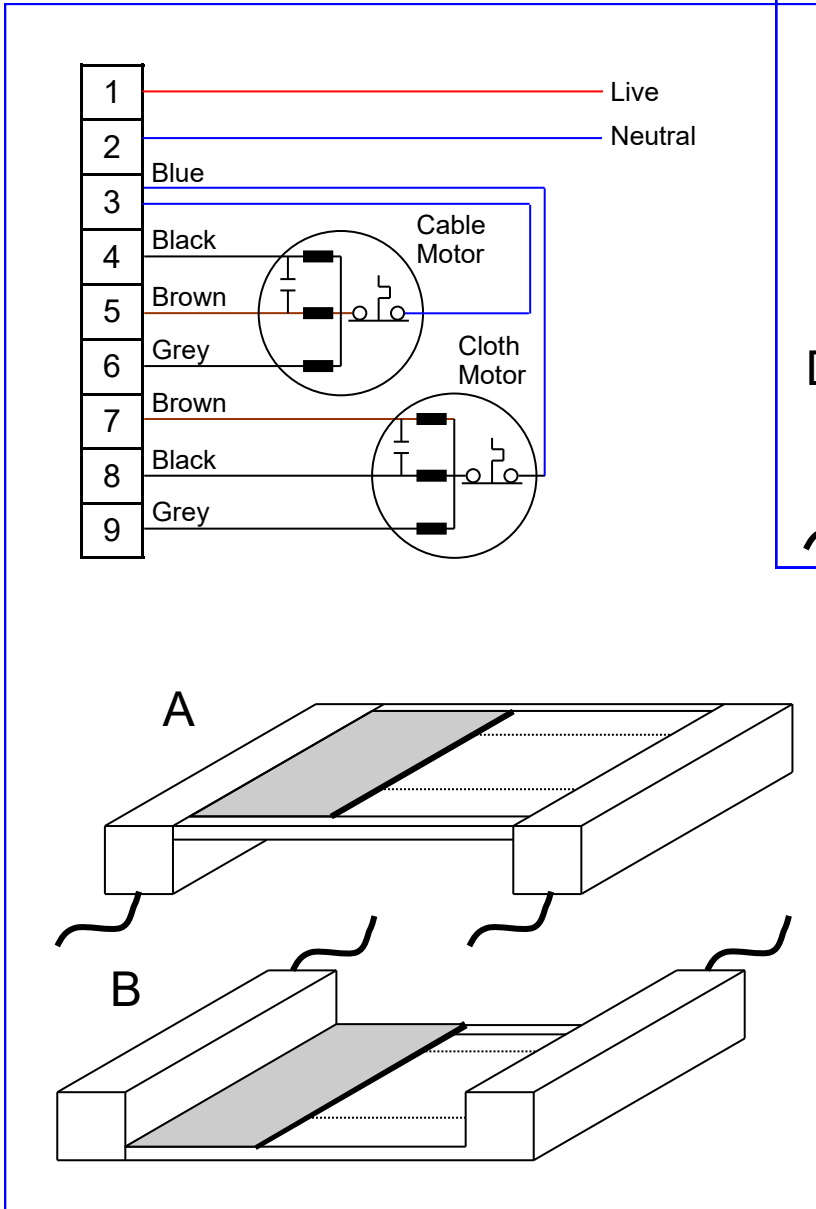
**Never Connect more than One Blind into One Control Box**

Only use switches provided



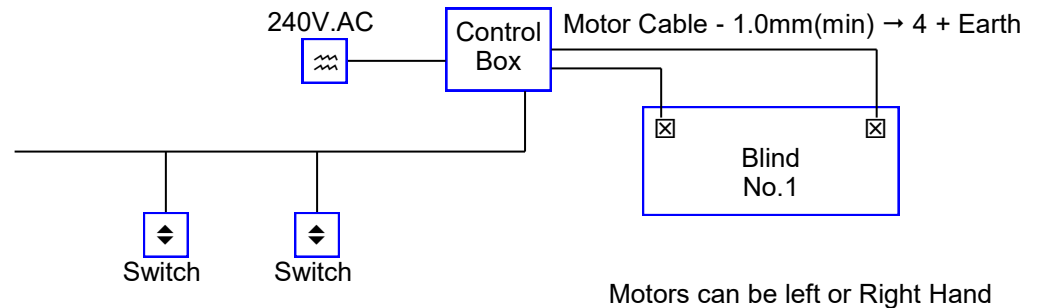
# 1 FTS by 2 or more wired in Switches

## Black and Brown identification & connection



### Tip:

- Always make sure the control box is accessible for setting up the blind and for future maintenance (fitting the control box so it is inaccessible when the blind is closed is not a good idea).
- When 2 or more blinds are operated from the same switch, ensure you can isolate one when working on the other.



Motors can be left or Right Hand

# 1 FTS by 2 or more wired in Switches

## Black and Brown identification & connection

