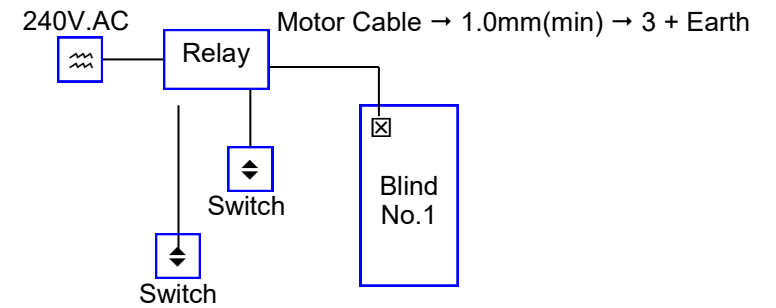
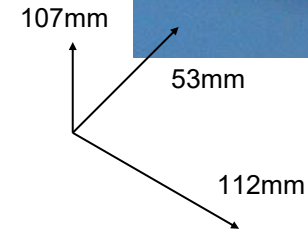
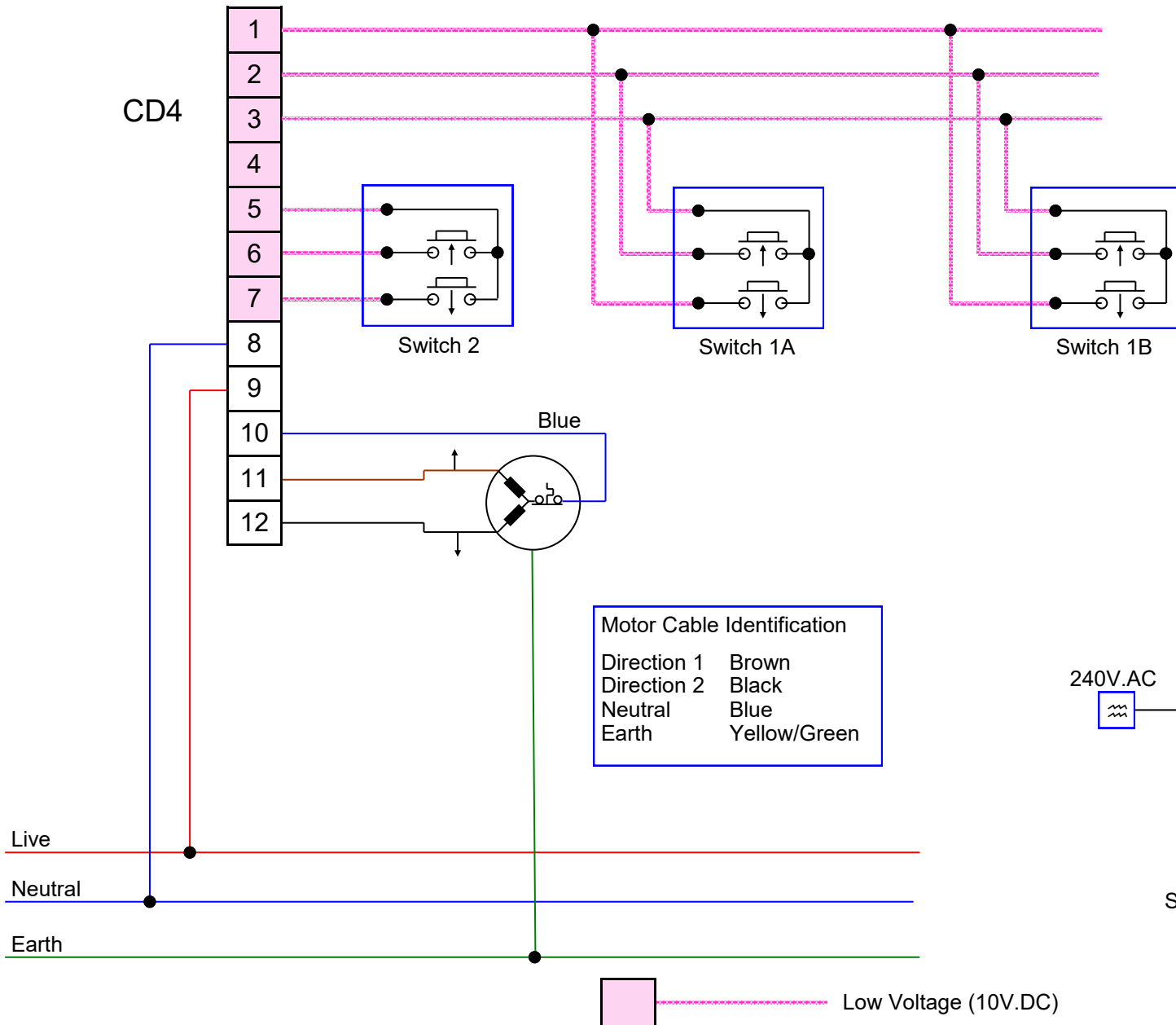


1 Motor - 2+ Switches (CD4)



Motors can be Left or Right Hand

Not for use with Radio motors