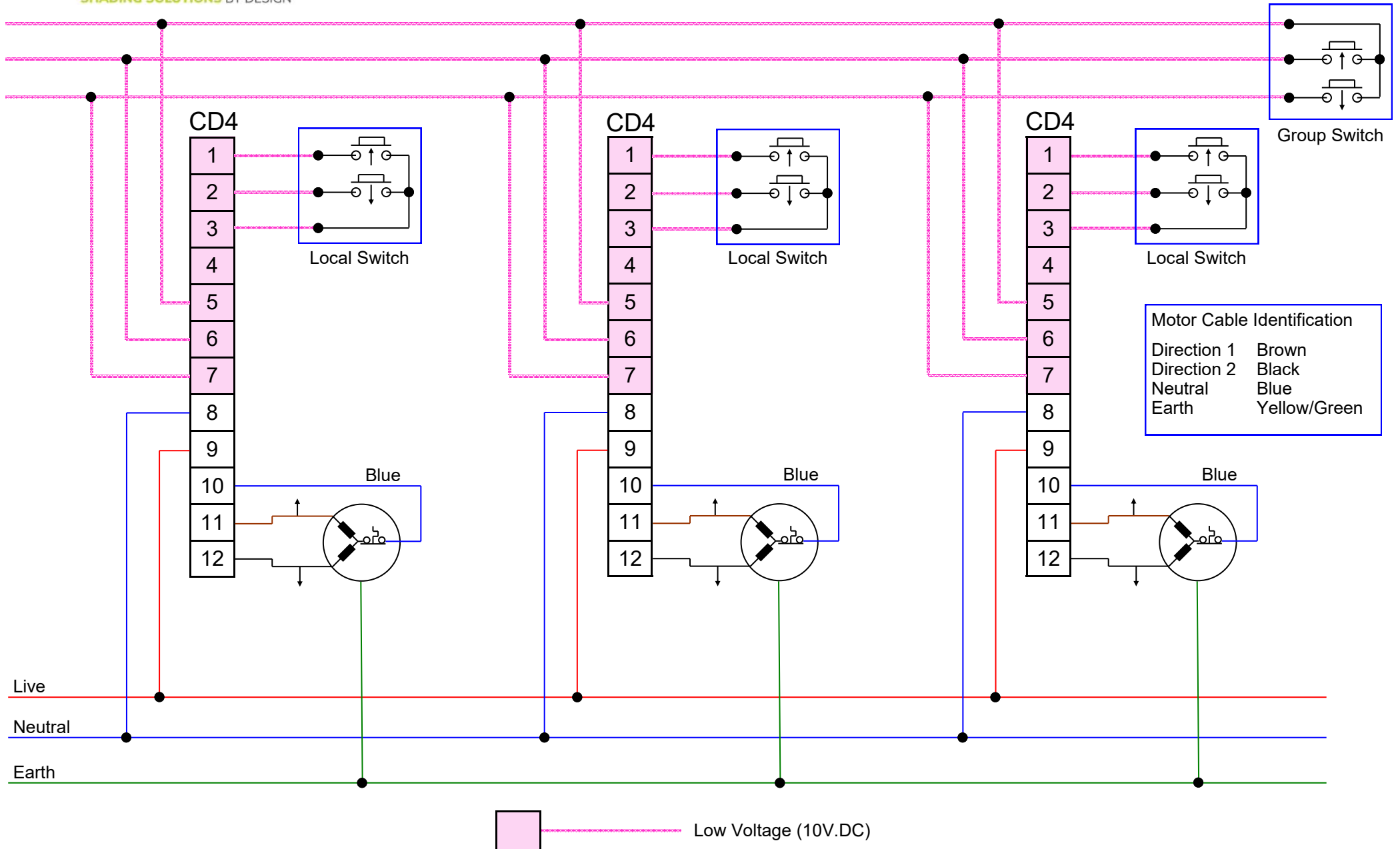
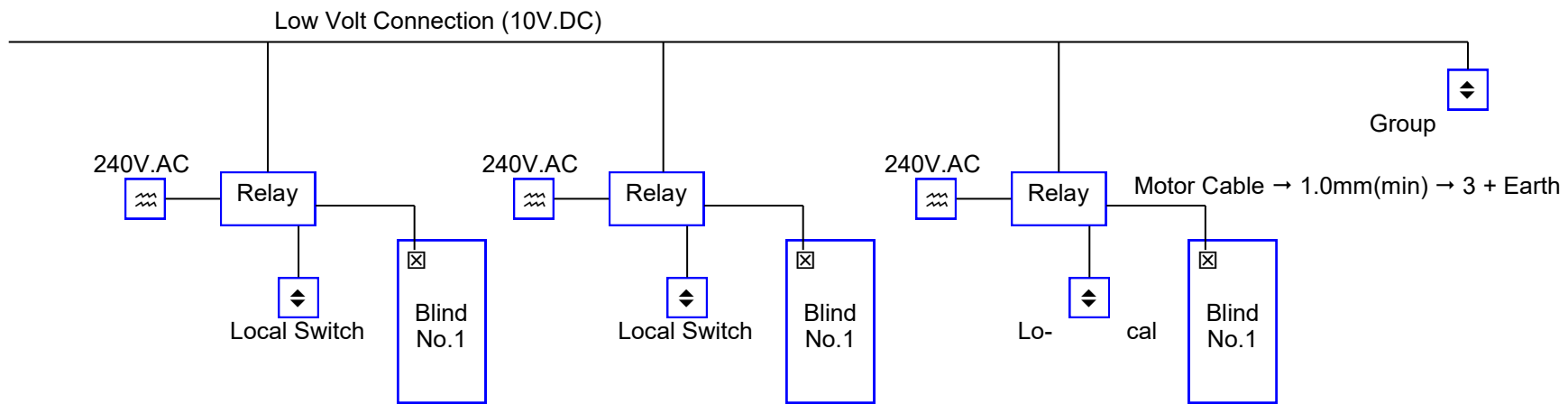
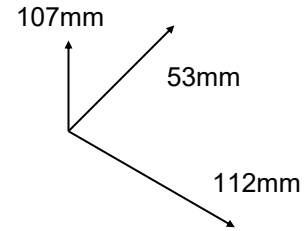


Group and Individual Switching



Group and Individual Switching



Motors can be Left or Right Hand