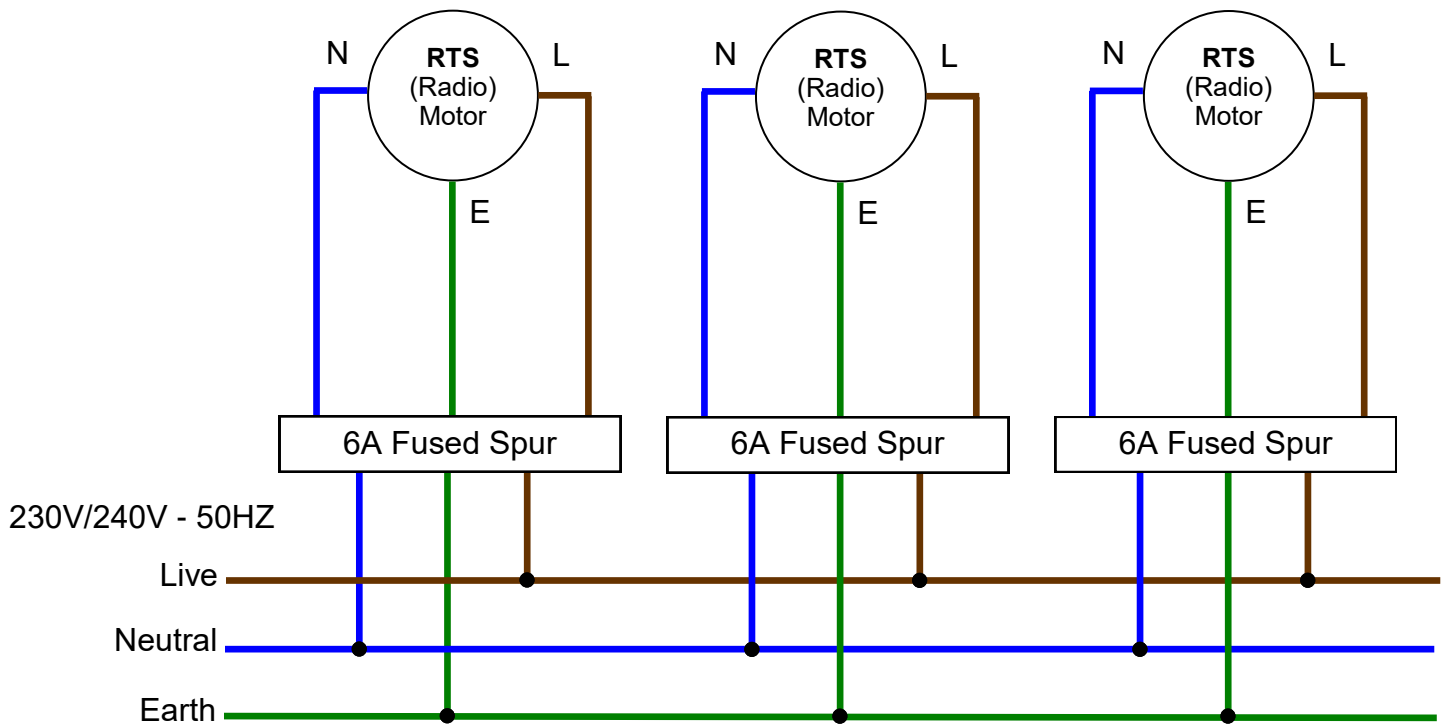


# Wiring Diagram for Somfy RTS (Radio) Motors LT50 & LS40



## Notes:

- LS40 Motors are double insulated and so will have no earth.
- Motors typically come with a 2M cable, but it is recommended the connection is made near to the blind.
- During set-up or future maintenance one or more blinds may have to be isolated, so it is recommended that each blind can be separately isolated.
- Running current will vary according to motor chosen, but is typically less than 1A (ask for exact motor specification if loading is critical) with a times 3 starting current, so motor MCB is recommended for the main supply. For the fused or switched spur, typically a 6A fuse is used.