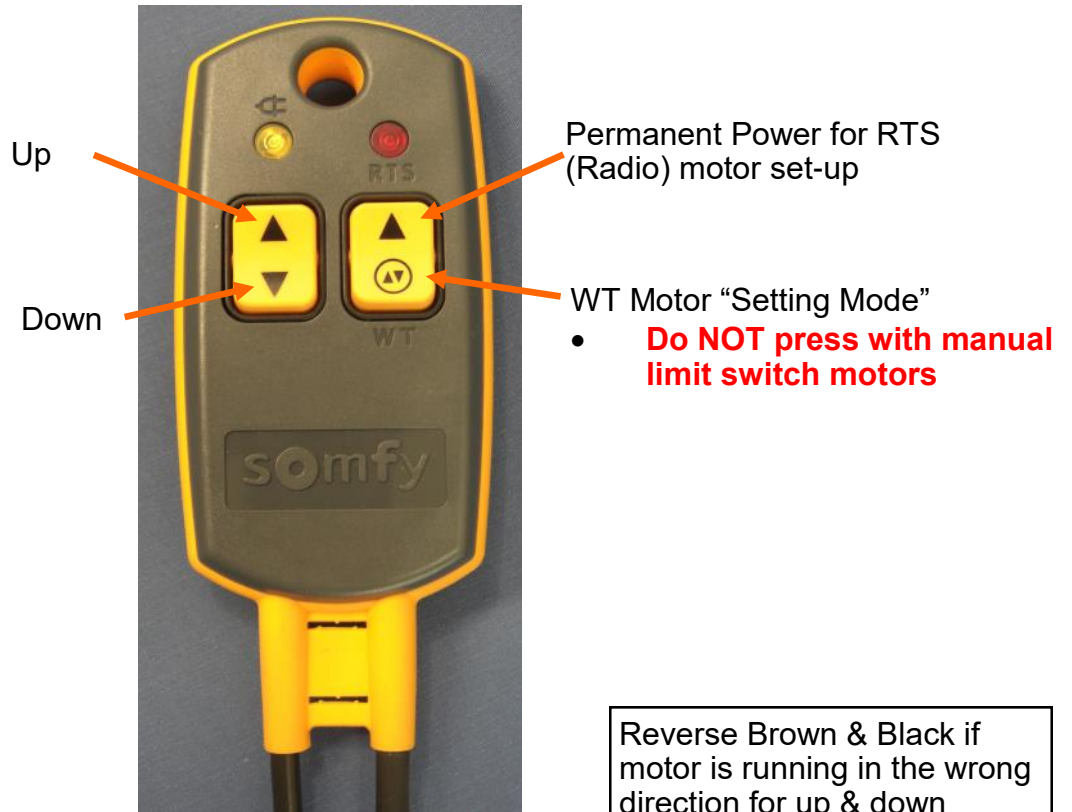
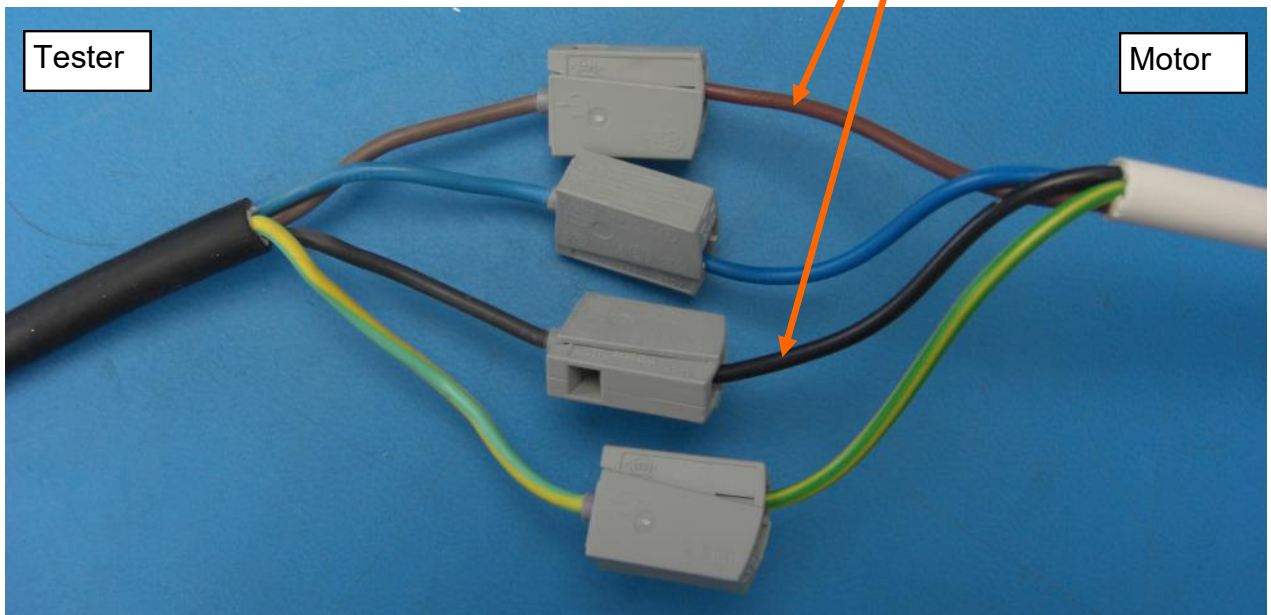


Motor Tester & Setting

WT Setting Tool



Reverse Brown & Black if motor is running in the wrong direction for up & down





WT - Motor Setting

Wired in motor (not radio) with remote limit switch setting.

Not for use with motors that have press button limit switches located on the motor.



Press & hold for 3 seconds until motor shunts



Press & hold up button for 3 seconds until motor shunts.
(this confirms the up direction)

When in setting mode, the motor will not move for the first second of holding down a direction button. If the motor moves immediately, then you need to reset the motor (see below).



Move blind to desired **TOP** position using the up and down buttons.



1. Press the down button for less than one second (so the motor does not have time to move).
2. Immediately followed by pressing the down button for 3 seconds.
 - The motor will now shunt confirming you have set the top limit.



Move blind to desired **BOTTOM** position using the up and down buttons.



1. Press the up button for less than one second (so the motor does not have time to move).
2. Immediately followed by pressing the up button for 3 seconds.
 - The motor will now shunt confirming you have set the bottom limit.



Press & hold for 3 seconds until motor shunts to exit setting mode.

- Finished.... Using the up & down buttons, the motor should now stop at the limit positions now set.

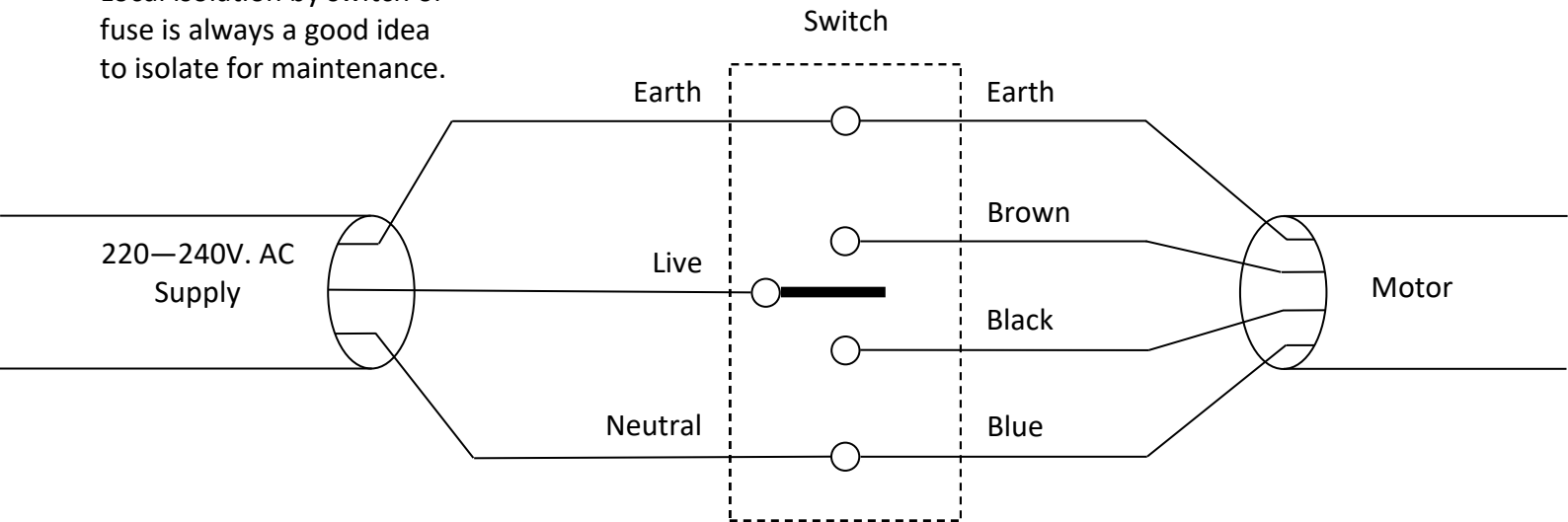
To Reset the Motor



Press & hold for 8 seconds until motor shunts once and then again.
Now start the setting procedure again.

Electrical Installation

Local isolation by switch or fuse is always a good idea to isolate for maintenance.



Some motors are double insulated and so require no Earth.